

INTRODUCTION

The receiver Erone type SEL2641R433-C5P is designed for the control of oleodynamic systems thanks to the 5 output relays . The main 4 relays gives a C-NO-NC dry contact when the transmission is correctly decoded , the fifth relay can be activated together to one on them . The memorisation of the transmitter code into the receiver memory can be done in self-learning mode with one button. Hereby, CDVI Wireless Spa, declares that the radio equipment type SEL2641R433-C5P is in compliance with directive 2014/53/EU. The full text of the EU declaration of conformity is available at the following internet address: www.erone.com.

TECHNICAL SPECIFICATIONS

Receiver type	Superheterodyne
Carrier frequency	433.92 MHz
Local oscillator frequency	6,6128 MHz
Modulation	AM/ASK
Input impedance	50 Ohm
Input sensitivity	-115 dBm
Local oscillator emissions	< -57 dBm
Power supply	12 / 24 Vdc
Consumption	270 mA
Relays	4 + 1
Relay operating mode	Pulse / Latch
Min applicable power	1A / 6V
Max applicable power	20A / 27V - max 300W
Outputs relays	C - NC - NO
Security protocol	Keeloq hopping code
User codes max	85
Operating temperature	-20°/+70°C
IP Grade	IP56
Weight	400 gr.
Overall dimensions (mm)	110 x 110 x 60
Selflearning radio memorisation	yes



Security measures

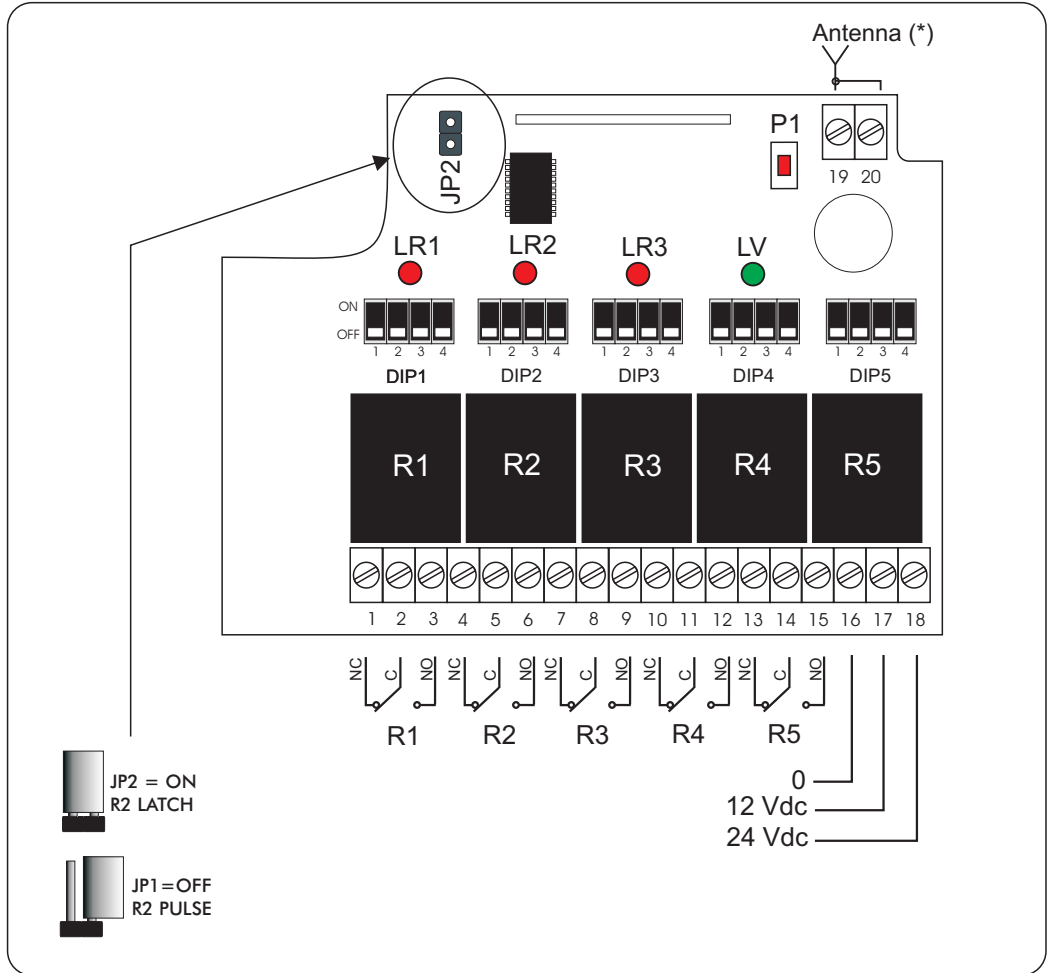
For a perfect functioning of the device, read carefully this manual and follow all the indications, since an inadequate use can make damages to the device



Declaration of Conformity:

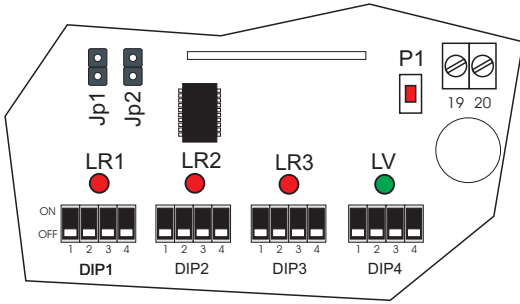
Hereby, CDVI Wireless Spa, declares that the radio equipment type SEL2641R433-C5P is in compliance with directive 2014/53/EU. The full text of the EU declaration of conformity is available at the following internet address:

LAYOUT

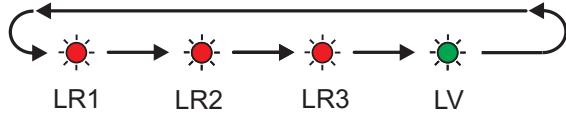


(*) Connect a 17 cm piece of wire at terminal 19 or a 433 MHz tuned antenna with cable RG58 (50 Ohm)

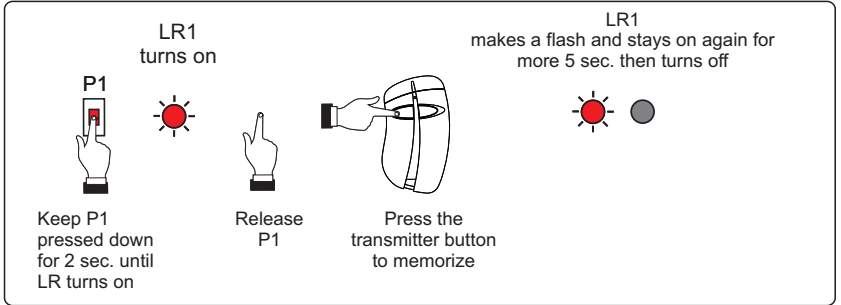
MEMORIZING



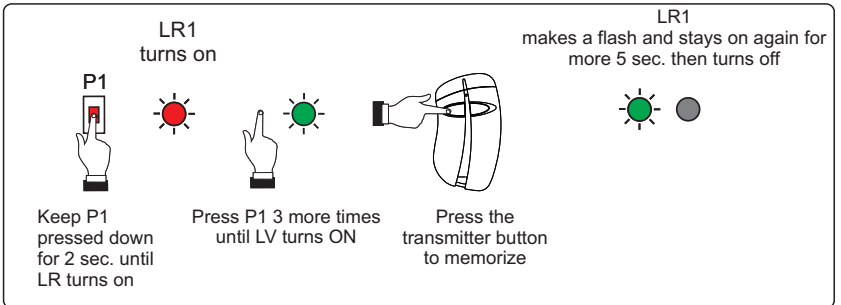
Each button of the transmitter can be memorized on one or more channels of the receiver. The memorisation can be done in self-learning by pressing P1. Press P1 sequentially to select the channel desired.



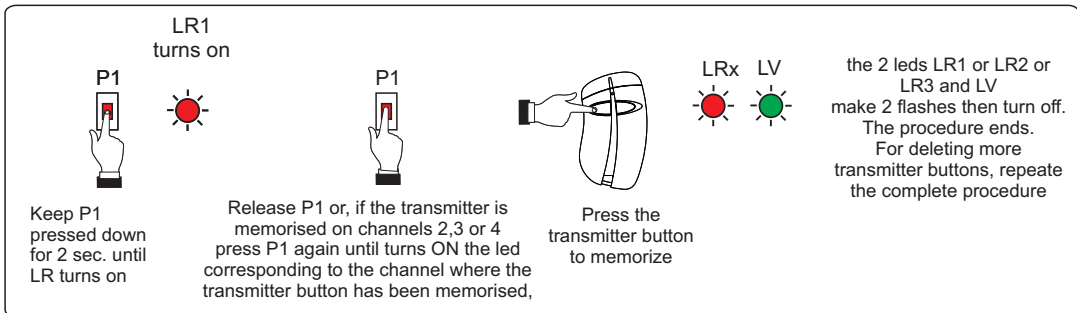
EXAMPLE 1 MEMORIZING ON CHANNEL LR1



EXAMPLE 2 MEMORIZING ON CHANNEL LV



TRANSMITTER CANCELLING



DIP-SWITCH CONFIGURATION

Each dip-switch sets the relay or the relays activated by the corresponding channel.

CHANNEL 1 - LED LR1 (RED)



DIP-SWITCH 1

CHANNEL 2 - LED LR2 (RED)



DIP-SWITCH 2

CHANNEL 3 - LED LR3 (RED)



DIP-SWITCH 3

CHANNEL 4 - LED LV (GREEN)



DIP-SWITCH 4

Set to ON the switch corresponding to the relay to activate,

i.e. **SW1 = ON, SW2, SW3, SW4 = OFF** --> **ONLY Relay 1 activated.**

i.e. **SW1 = ON, SW2 = OFF, SW3 = ON, SW4 = OFF** --> **Relays 1, 3 activated simultaneously**

RELAY 5 (COMMON)



DIP5-SWITCH 5

The relay 5 can be activated simultaneously with each relay (1,2,3 or 4, depending by the settings of DIP5).

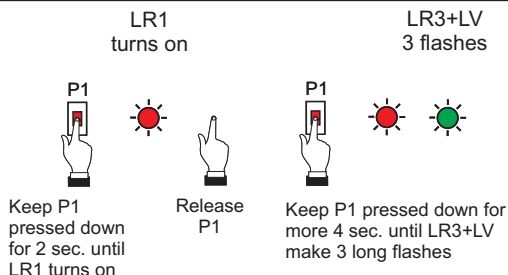
Set to ON the switch corresponding to the channel which activates simultaneously even the relay 5.

i.e. : **sw1, sw2, sw3, sw4 = OFF** : **relay 5 NEVER ACTIVATED**

i.e. : **sw1 = ON, sw2, sw3, sw4 = OFF** : **relay 5 activated by Channel 1**

i.e. : **sw1 = ON, sw2 = ON, sw3, sw4 = OFF** : **relay 5 activated by Channel 1 or Channel 2**

FULL MEMORY ERASURE



GUARANTEE

The guarantee period of this products is 24 months, beginning from the manufacturer date.

During this period, if the product does not work correctly, due to a defective component, the product will be repaired or substituted at the discretion of the producer. The guarantee does not cover the plastic enclosure integrity.

After-sale service is supplied at the producer's factory.



Manufactured by CDVI Wireless Spa
Via Pieve, 23 - 31020
San Pietro di Feletto (TV) - Italy
Tel. 0438.450860 - Fax. 0438.455628
e-mail: info@erone.com
Web: www.erone.com